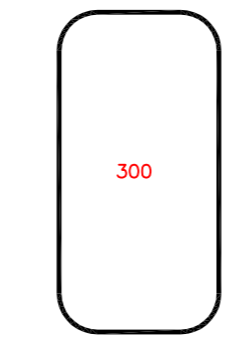
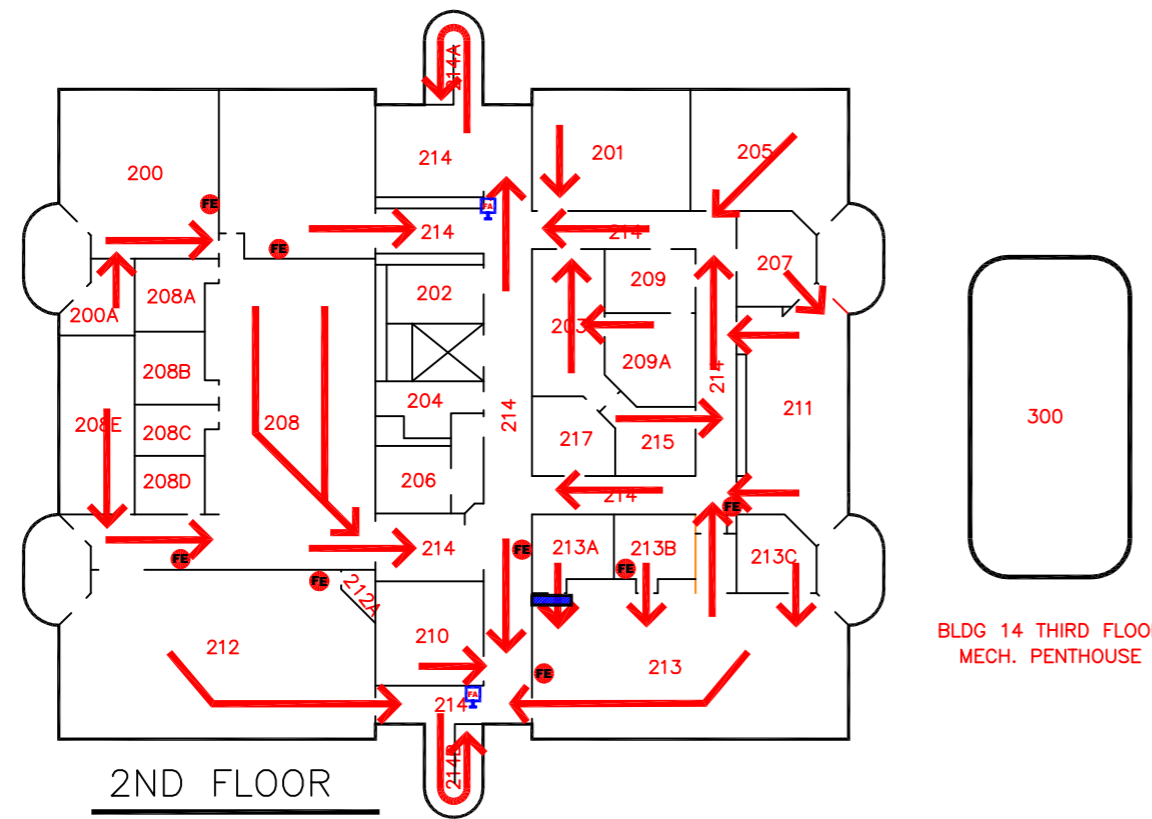
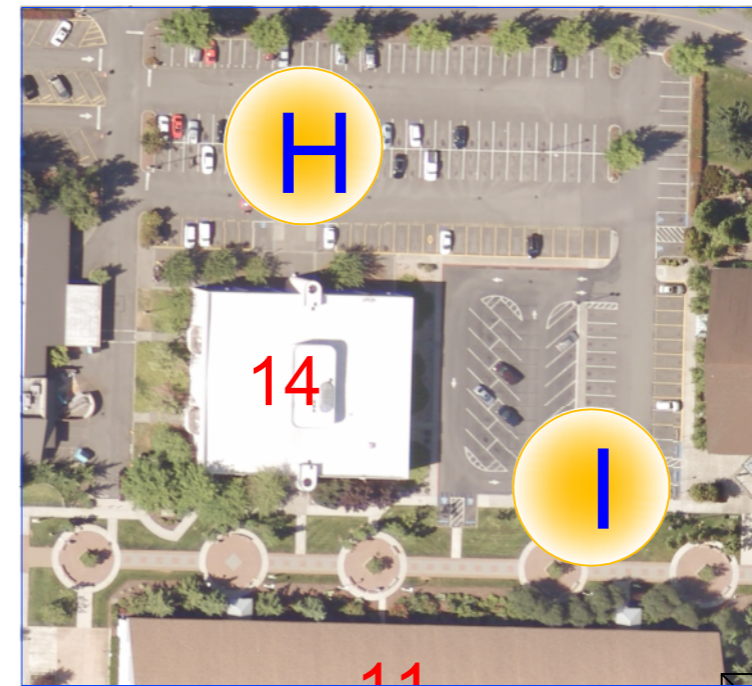


# FIRE EXIT PLAN

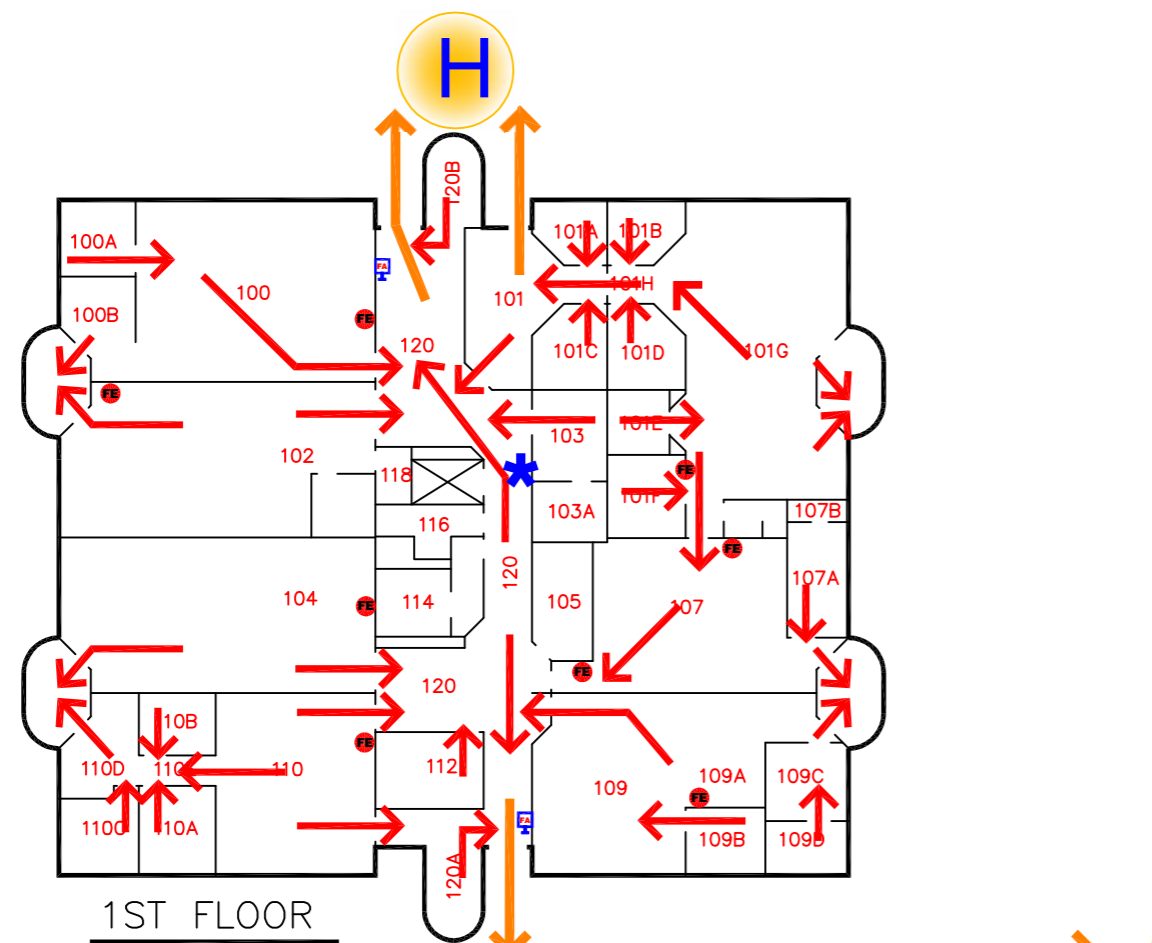
## HEALTH BUILDING 14

APR. 6, 2007



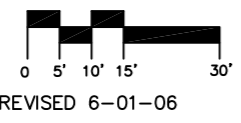
BLDG 14 THIRD FLOOR  
MECH. PENTHOUSE

2ND FLOOR



1ST FLOOR

FIRE  
EXITS



BLDG 14



### GATHERING AREAS PLAN

REVISED 2-10-2006



LEGEND

Z DESIGNATED AREA Z

★ YOU ARE HERE

FE FIRE EXTINGUISHER  
FA FIRE ALARM PULL STATION  
→ SITE GATHERING AREAS



IN THE EVENT OF AN EMERGENCY  
EXIT THE BUILDING SAFELY AND  
GATHER IN DESIGNATED AREAS  
AND WAIT FURTHER INSTRUCTIONS.