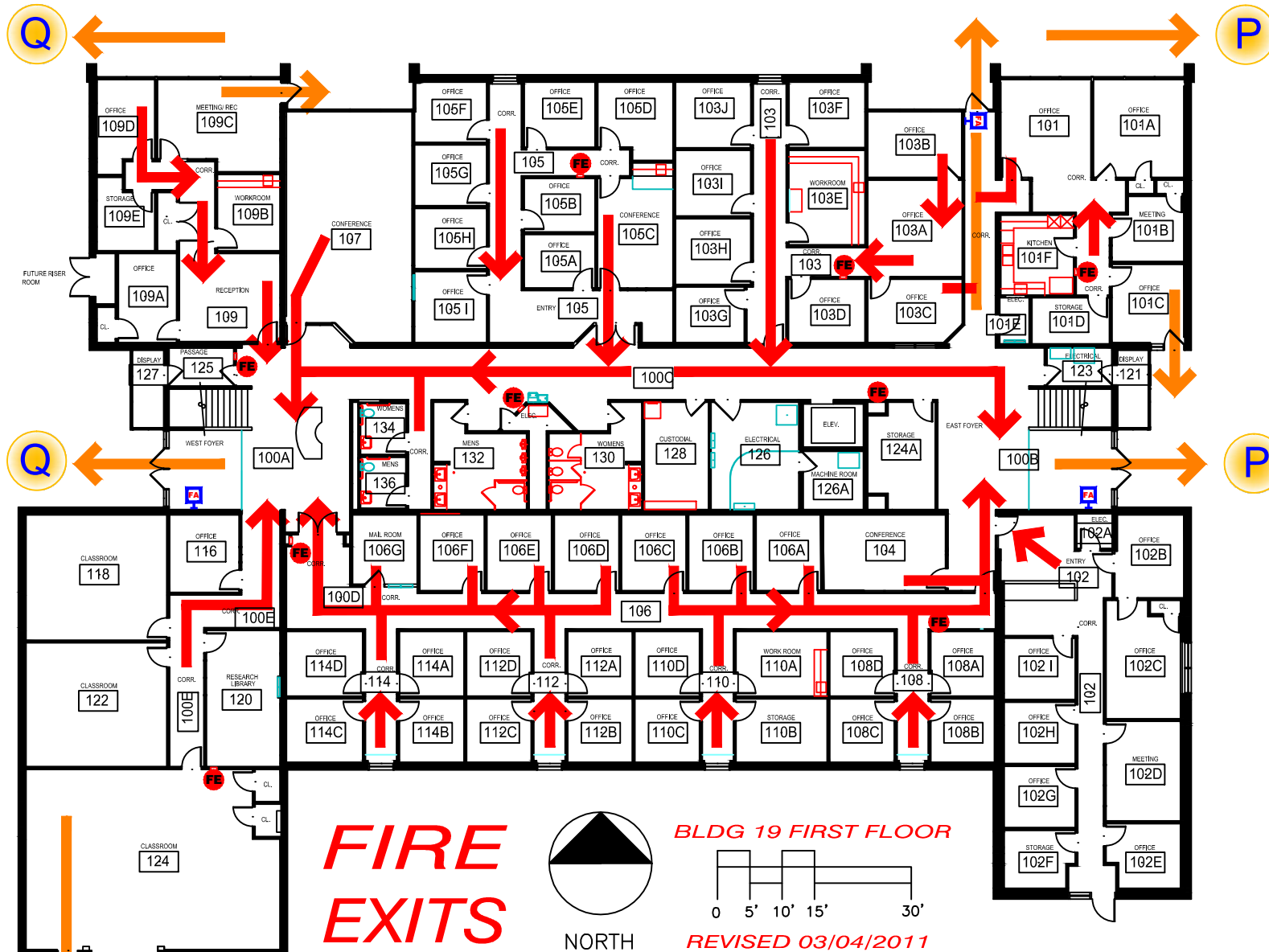
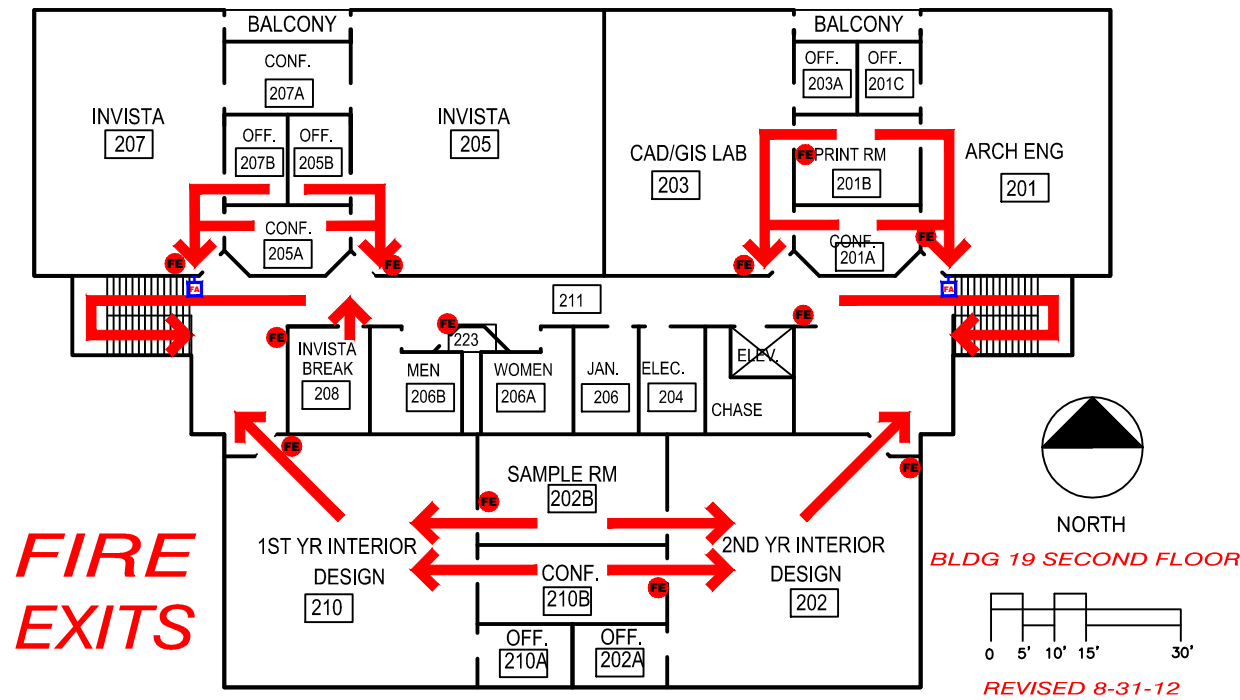


FIRE EXIT PLAN

BUILDING 19

AUG. 31, 2012



GATHERING AREAS PLAN

REVISED 2-10-2006



* **YOU ARE HERE**

FE **FIRE EXTINGUISHER**
FA **FIRE ALARM PULL STATION**
SITE GATHERING AREAS



IN THE EVENT OF AN EMERGENCY
 EXIT THE BUILDING SAFELY
 GATHER IN DESIGNATED AREAS
 AWAIT FURTHER INSTRUCTIONS